

# Procedures Manual

# 1. What's in

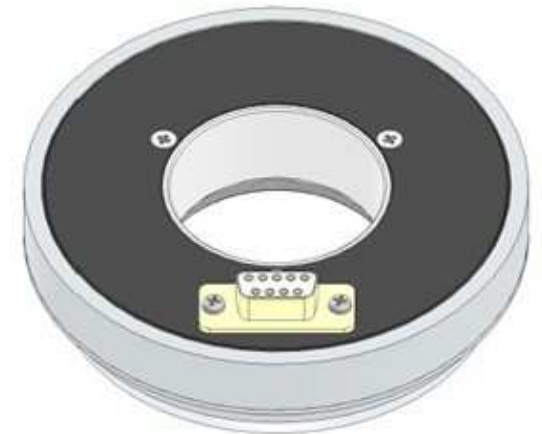
## 1. Encoder Body

R.A Encoder (Big connector x1pc)

Dec Encoder (Small connector x1pc)



R.A Encoder



Dec Encoder

## 2. Tool

## 3. Fix Ring (2pcs)

## 4. Fix Screw

M3 L=4 (3pcs)

M3 L=8 (3pcs)

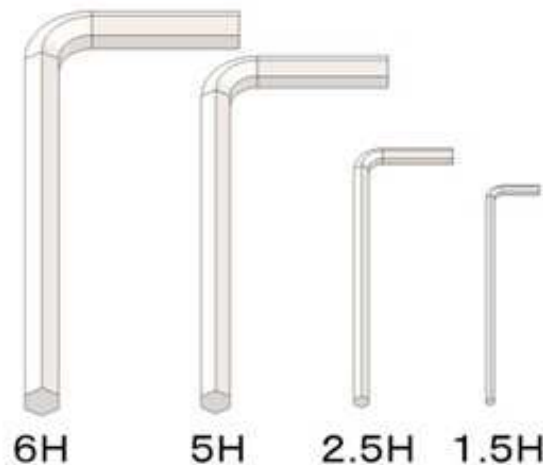
## 5. Hexagon Wrench

1.5H (1pc)

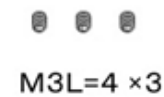
2.5H (1pc)

5 H (1pc)

6 H (1pc)



Hexagon Wrench



Fix Screw



Fix ring x2



Install Tool

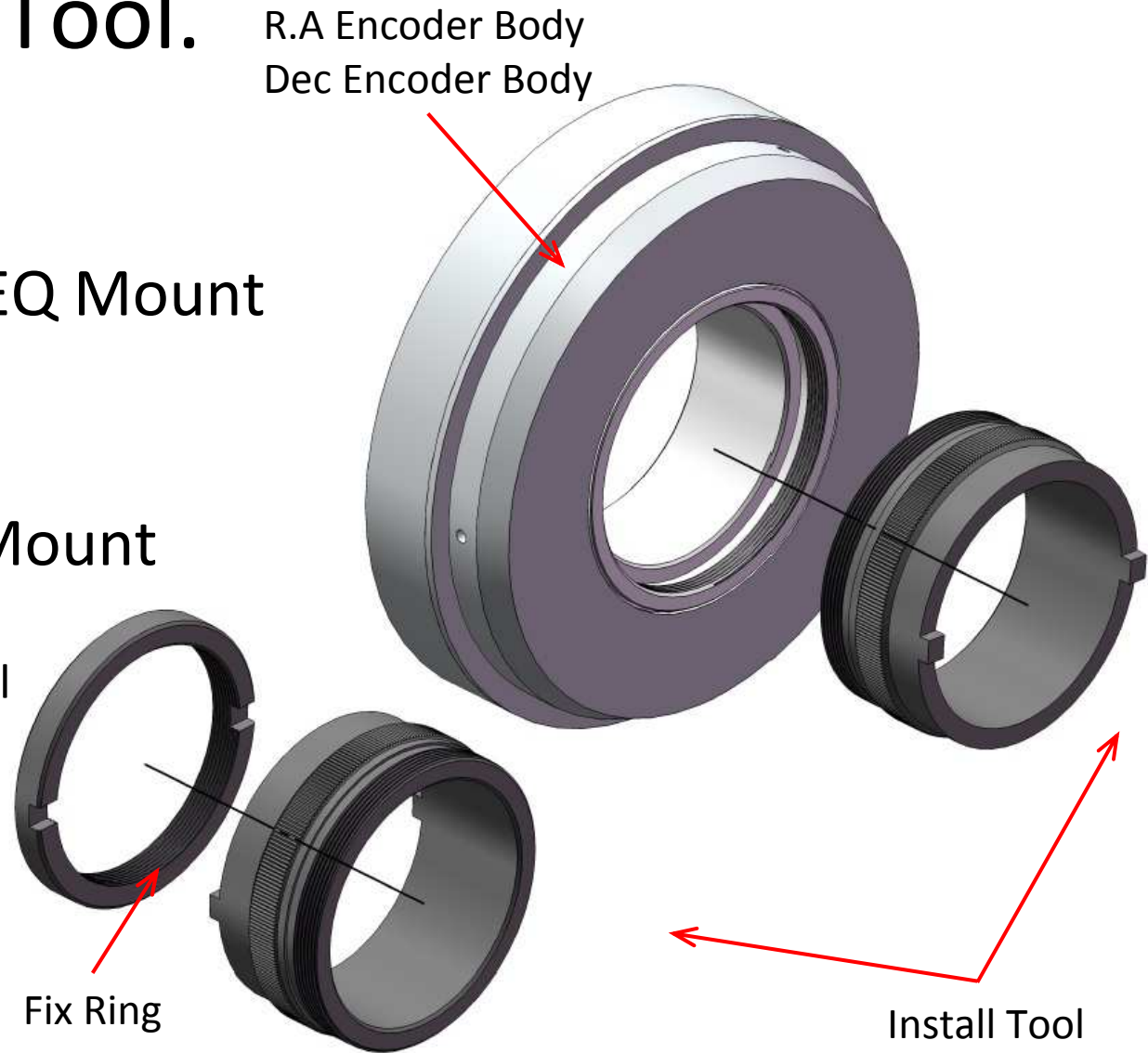
## 2.How to use Install Tool.

### 1.When “Attach” Encoder to EQ Mount

Use this Install Tool as a **handle** to hold  
The encoder body.

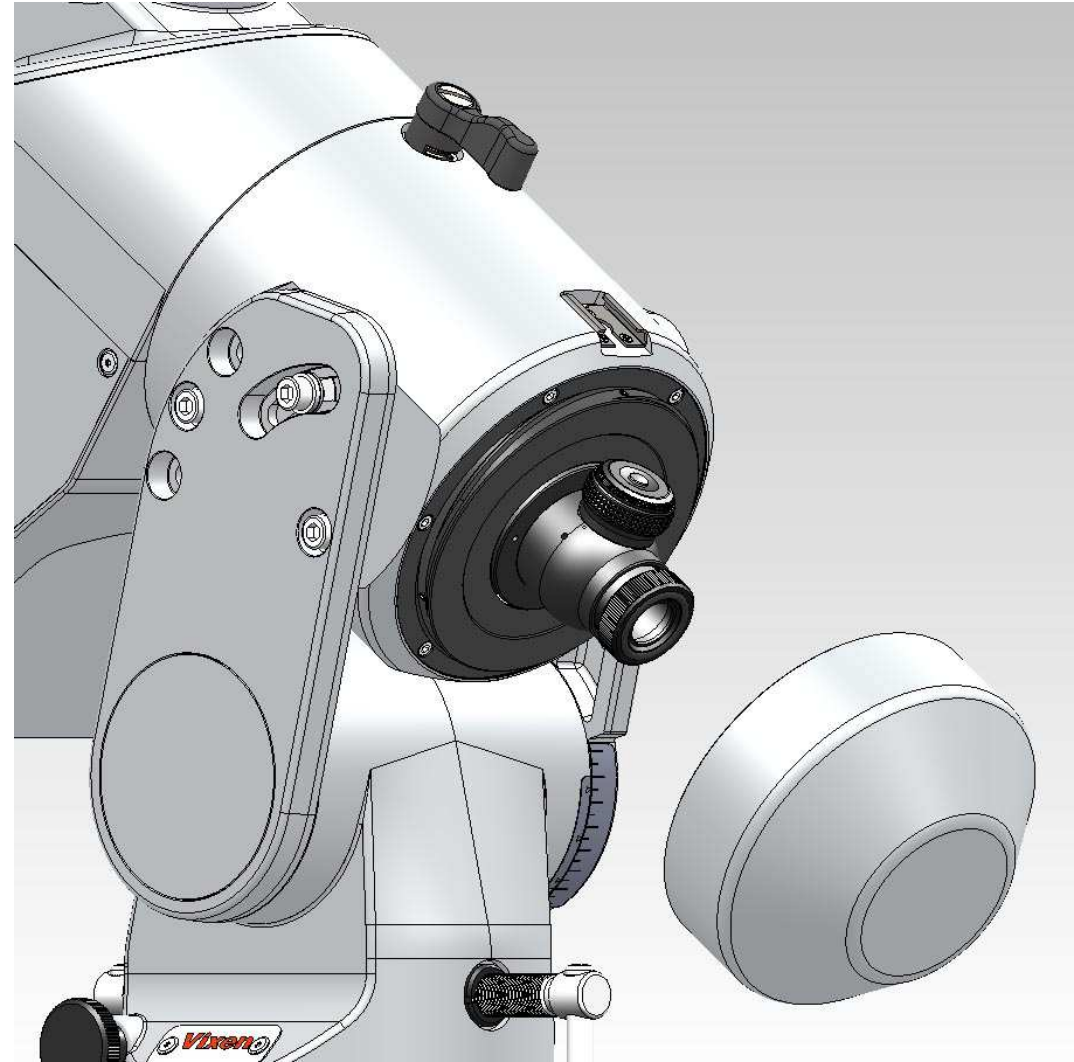
### 2.When “Fix” Encoder to EQ Mount

Together with Fix Ring, use this Install Tool  
As a **spanner**.



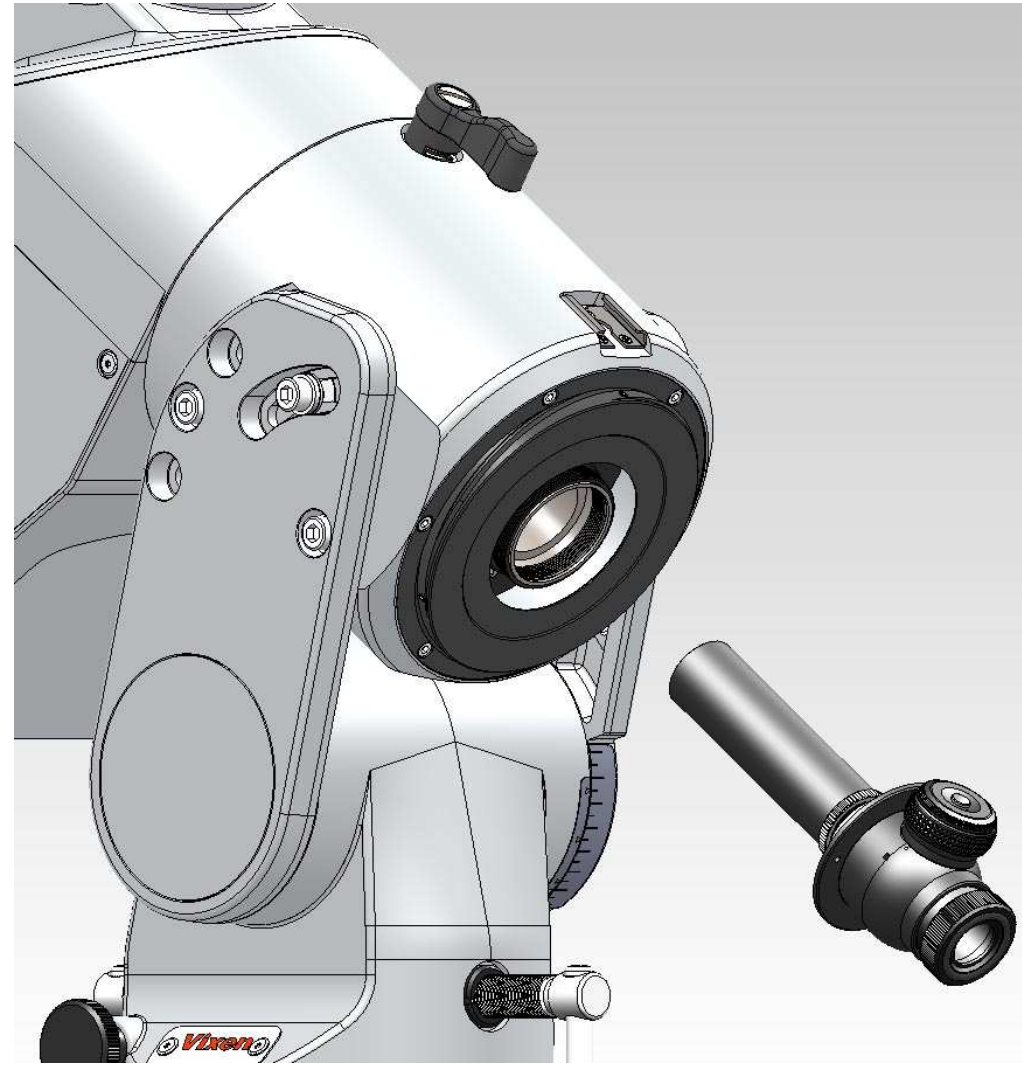
### 3.Procedures to attach R.A Encoder Body.

① Remove Polar Scope Cap.



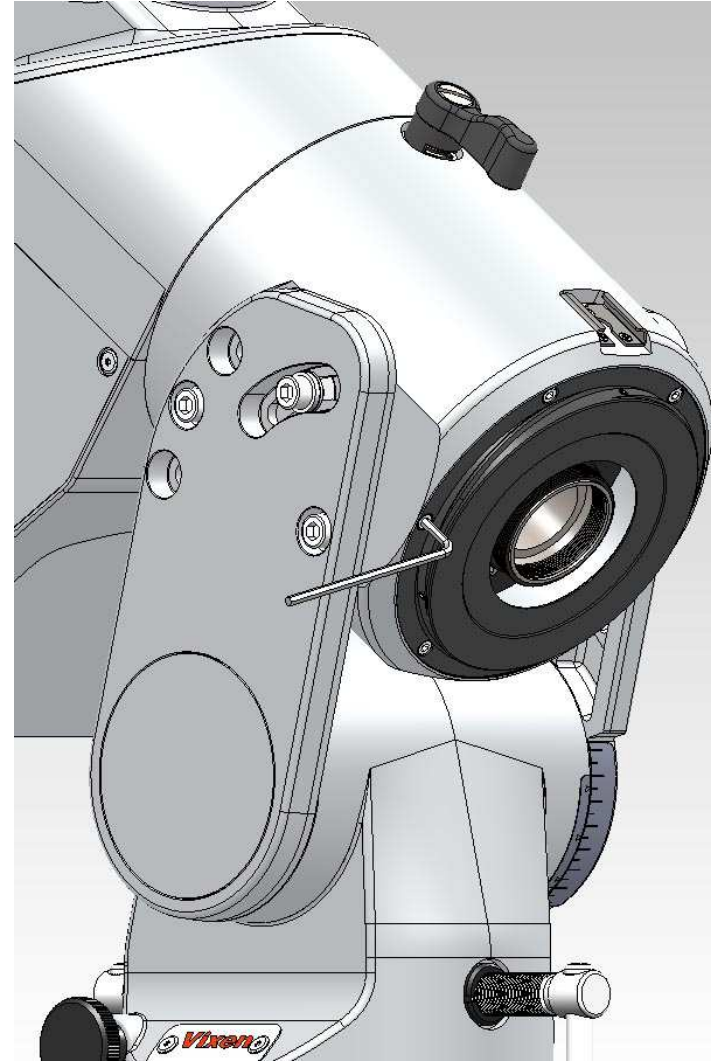
### 3.Procedures to attach R.A Encoder Body.

② Remove Polar Axis Scope.



### 3.Procedures to attach R.A Encoder Body.

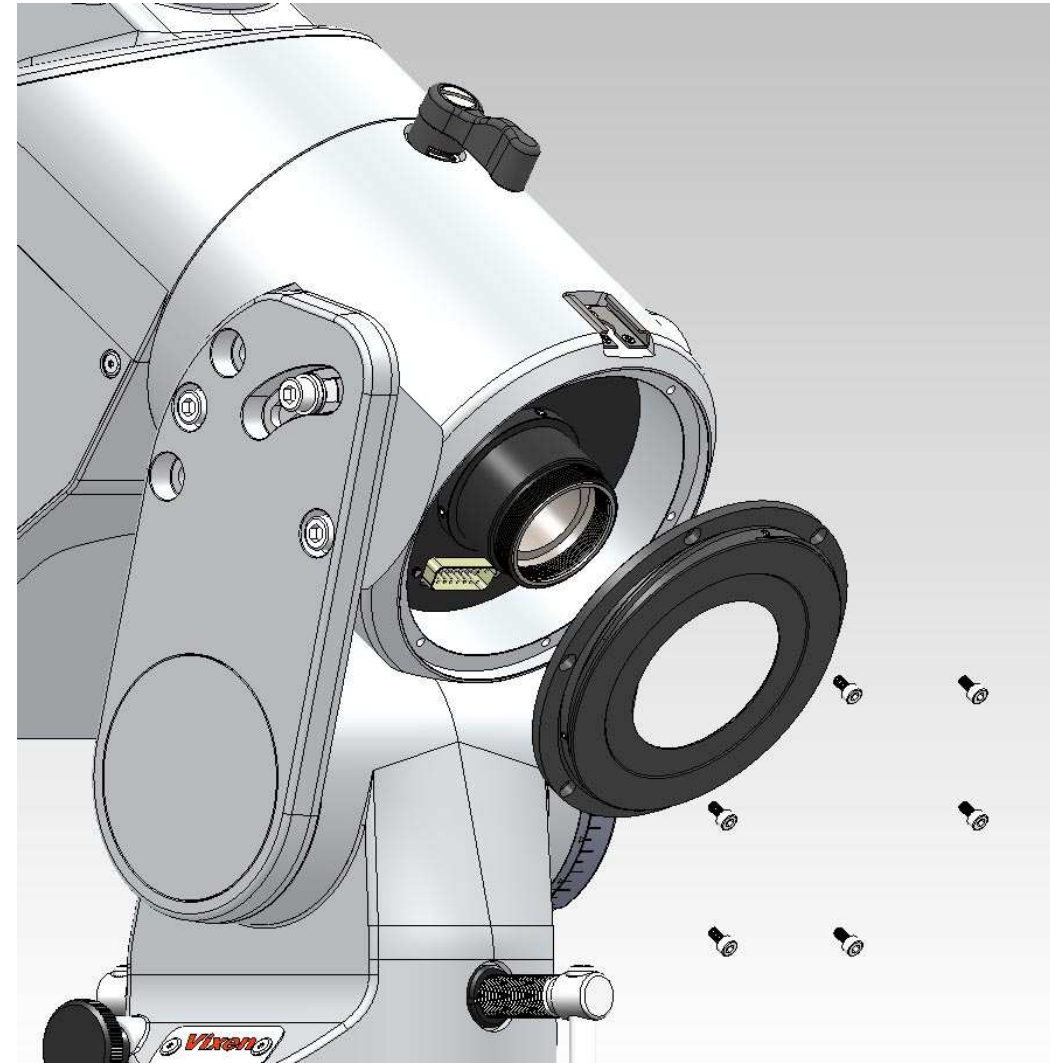
③Use Hexagon Wrench(2.5H) And Remove screws(6pcs)for taking Out R.A Housing Cover.





### 3.Procedures to attach R.A Encoder Body.

④Take off Housing Cover of R.A Encoder Body.



### 3.Procedures to attach R.A Encoder Body.

⑤ Attach the Install Tool to R.A Encoder Body and make a handle. Spot “connector” in EQ Mount and Match the connector of R.A Encoder Body to it.

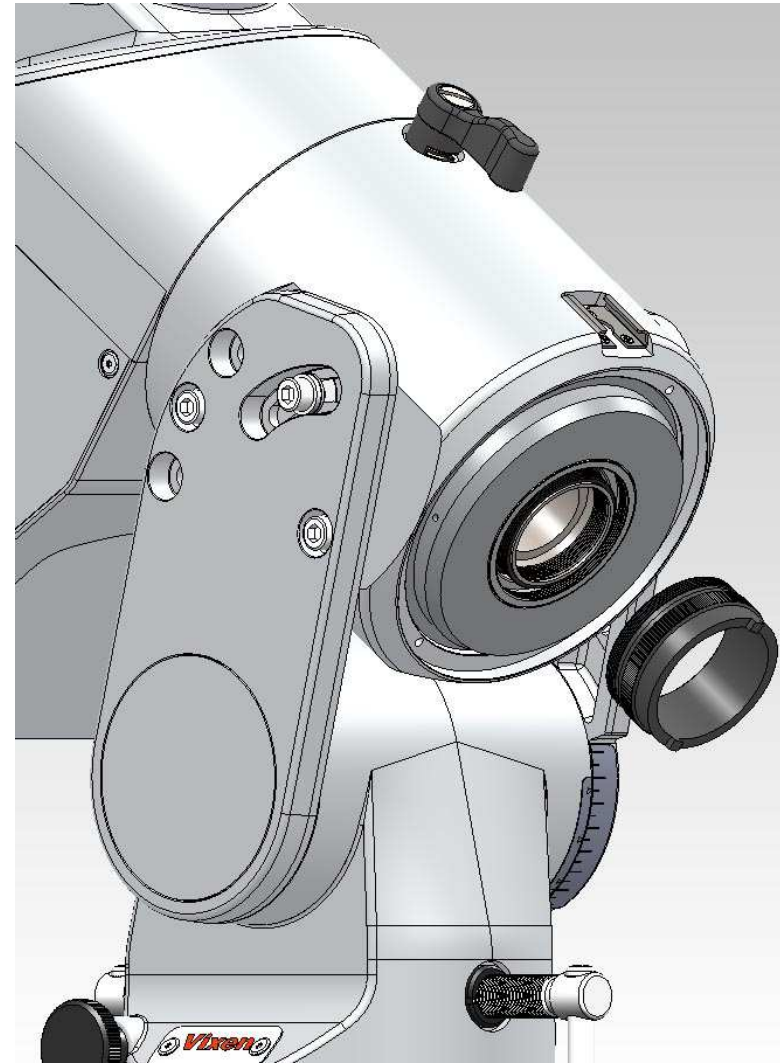




### 3.Procedures to attach DEC Encoder Body.

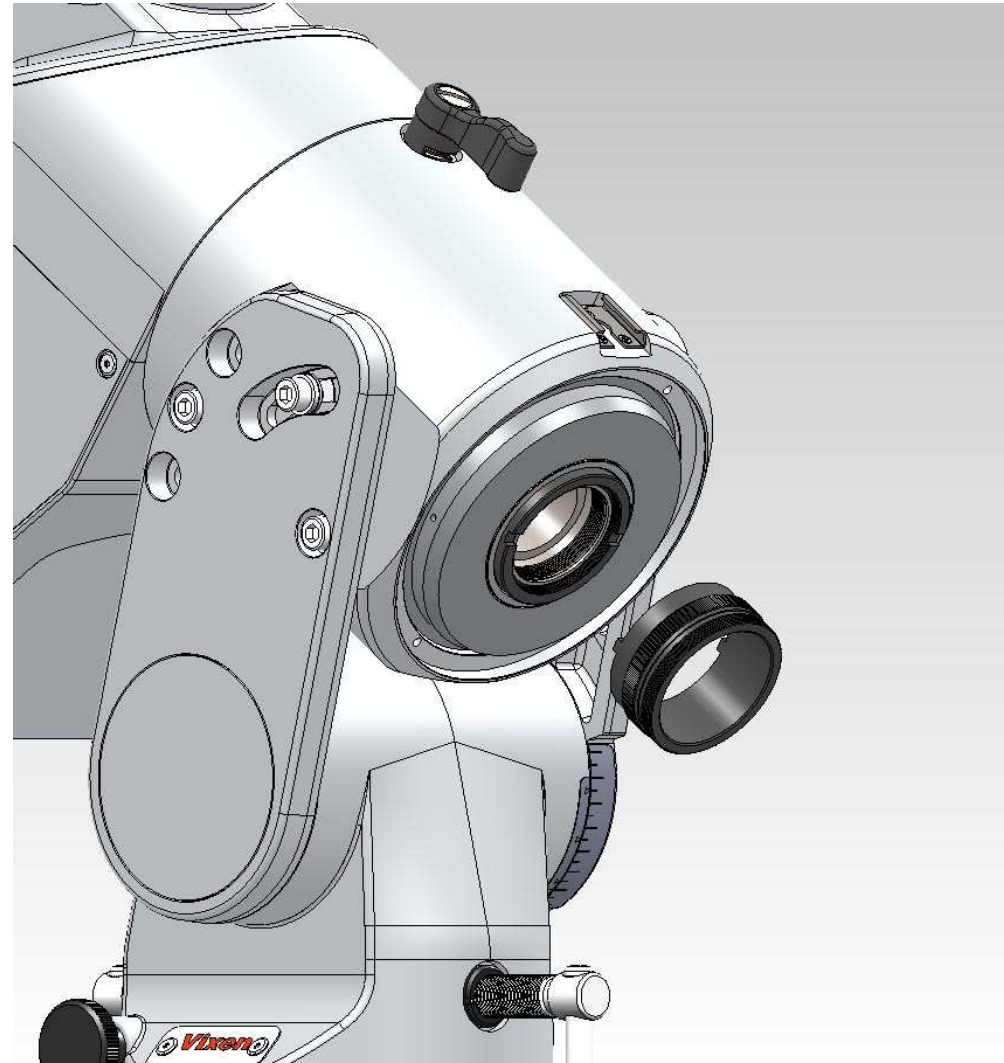
⑥ Once R.A Encoder Body is Securely Attached, remove “the handle” from R.A Encoder Body.

\*If R.A Encoder Body is not properly installed, “handle” will not be taken out.



### 3.Procedures to attach DEC Encoder Body.

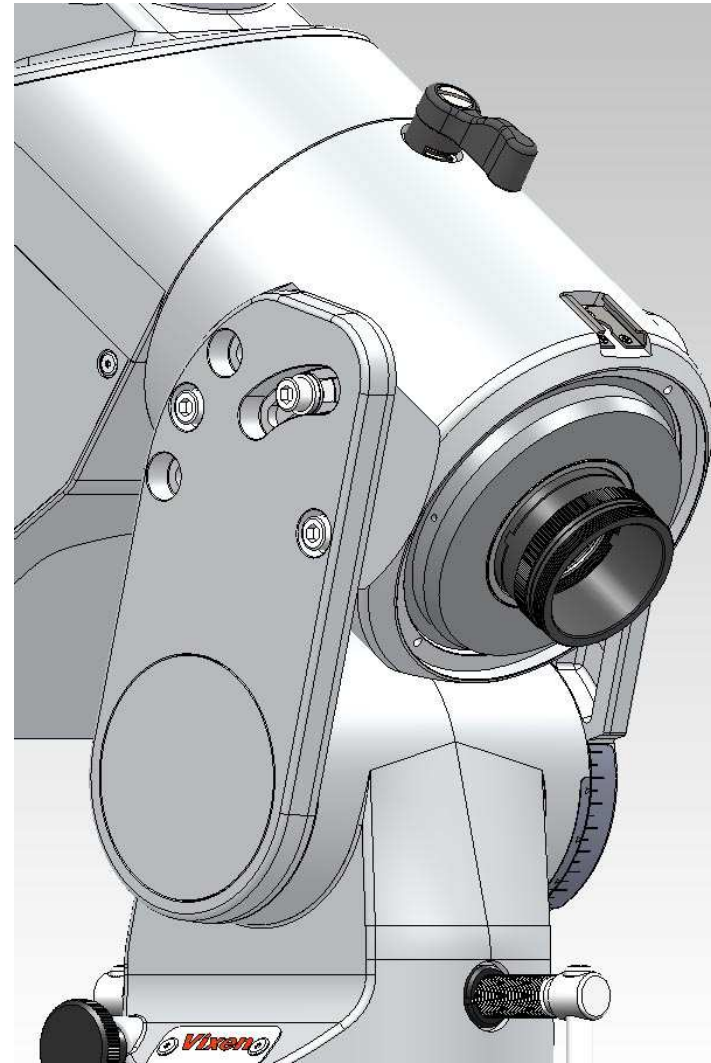
⑦ Make sure that place Fix  
Ring With “**slit**” is facing  
outside.



### 3.Procedures to attach DEC Encoder Body.

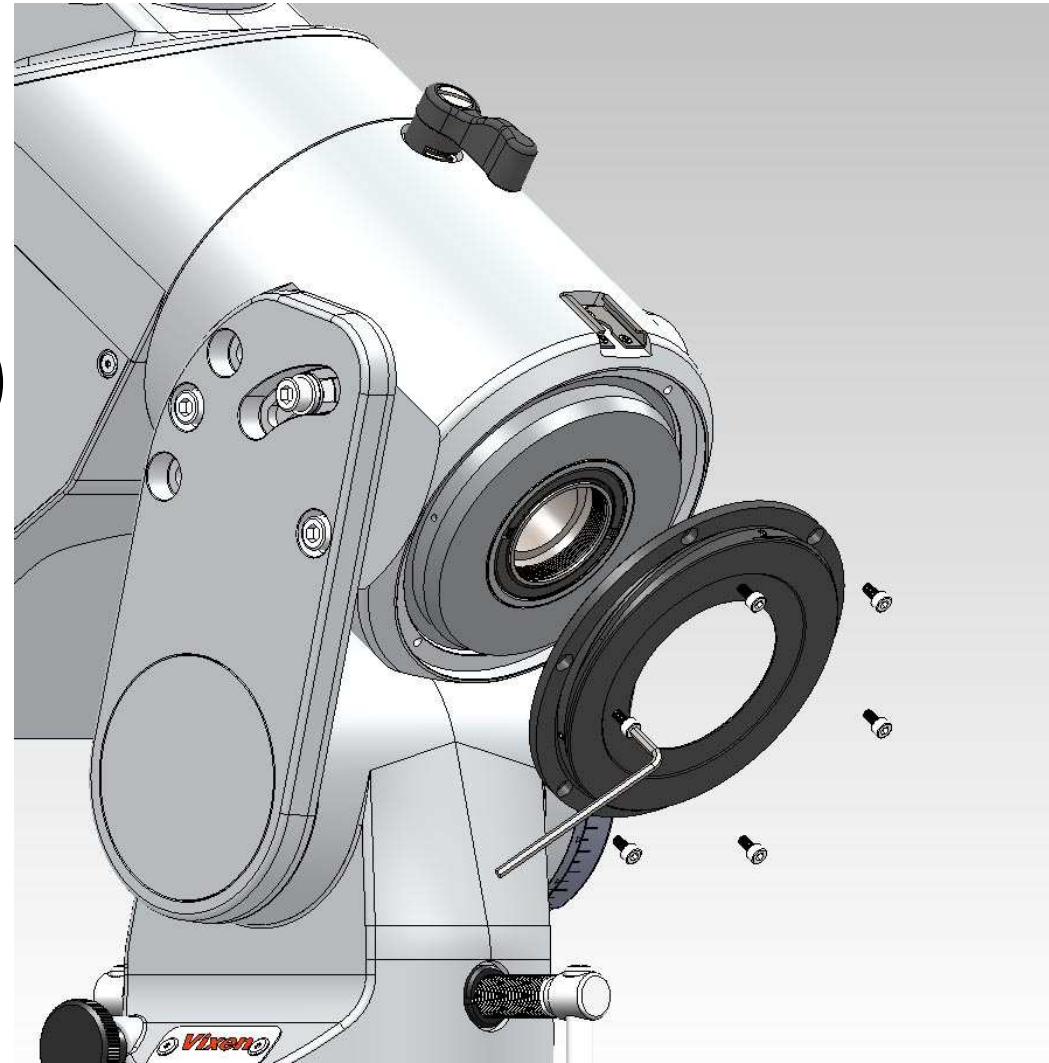
⑧ Then, “fit” the Install Tool Into The slit of “the Fix Ring” and tight It up.

\*Please be careful for not cutting fingers with The sharp edge of Install Tool.



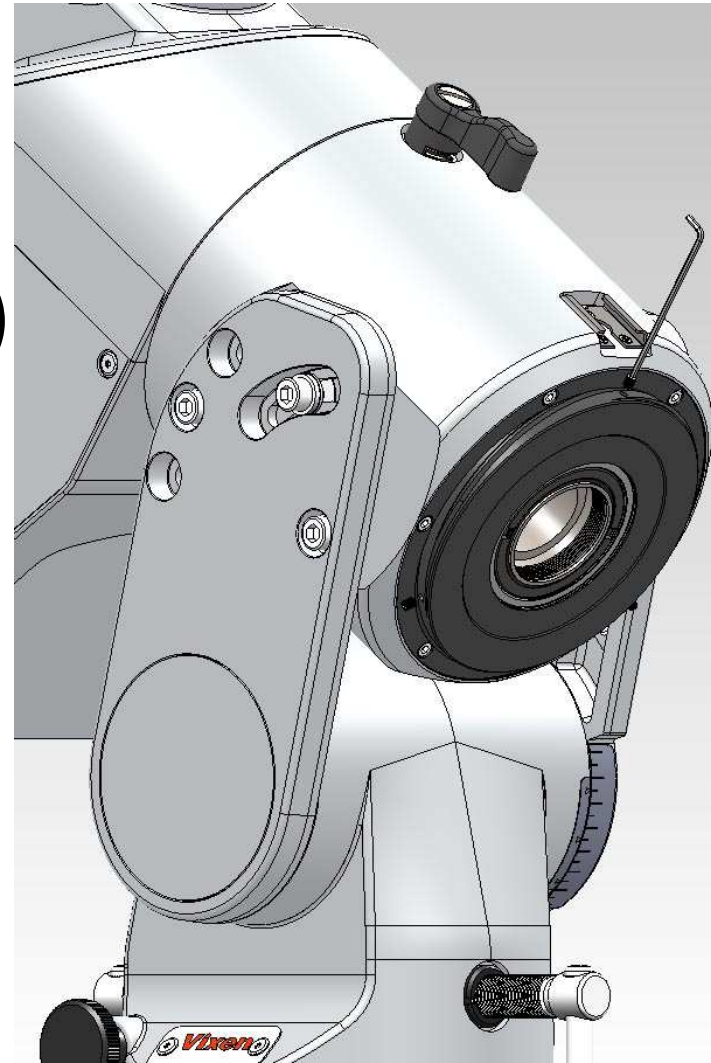
### 3.Procedures to attach R.A Encoder Body.

⑨ Use Hexagon wrench(2.5H) and Put R.A Housing Cover back to the original position by screwing All 6 screws.



### 3.Procedures to attach R.A Encoder Body.

⑩ Use Hexagon Wrench(1.5H)  
And Screw 3pcs of  
“Fix Screws”(M3L=4)  
Into the holes on  
R.A Housing Cover.

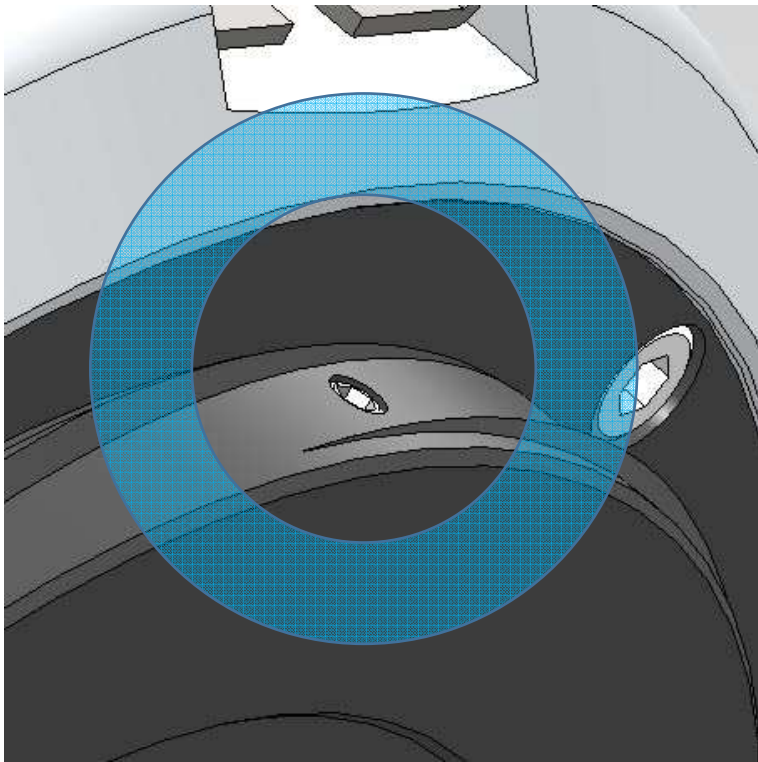




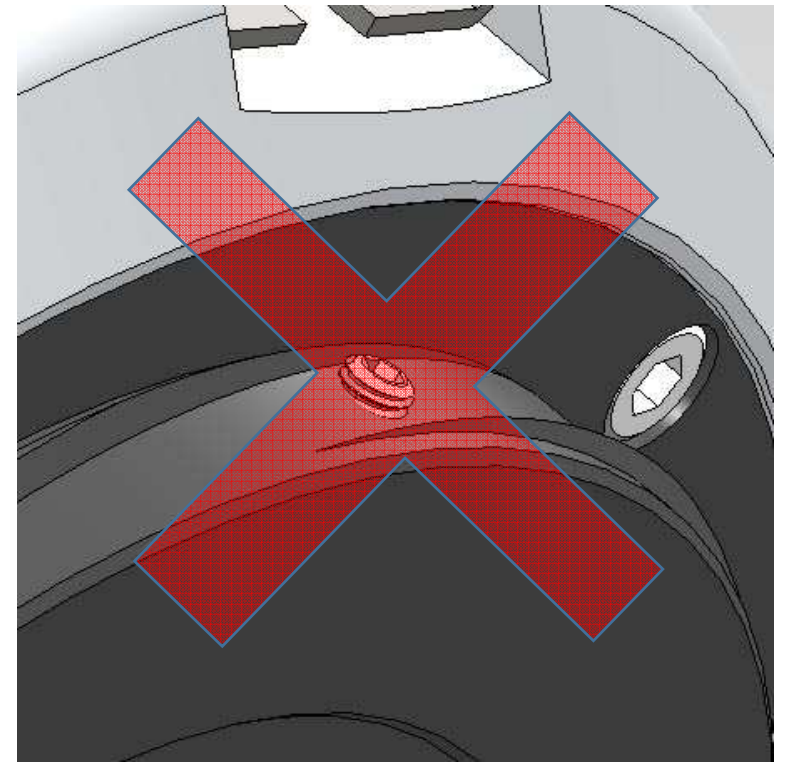
### 3.Procedures to attach R.A Encoder Body.

Please note that If set screw is wrongly done, Cap for Polar Axis Scope Can not be attached!

Correct! : Top head of screw in not surfaced.



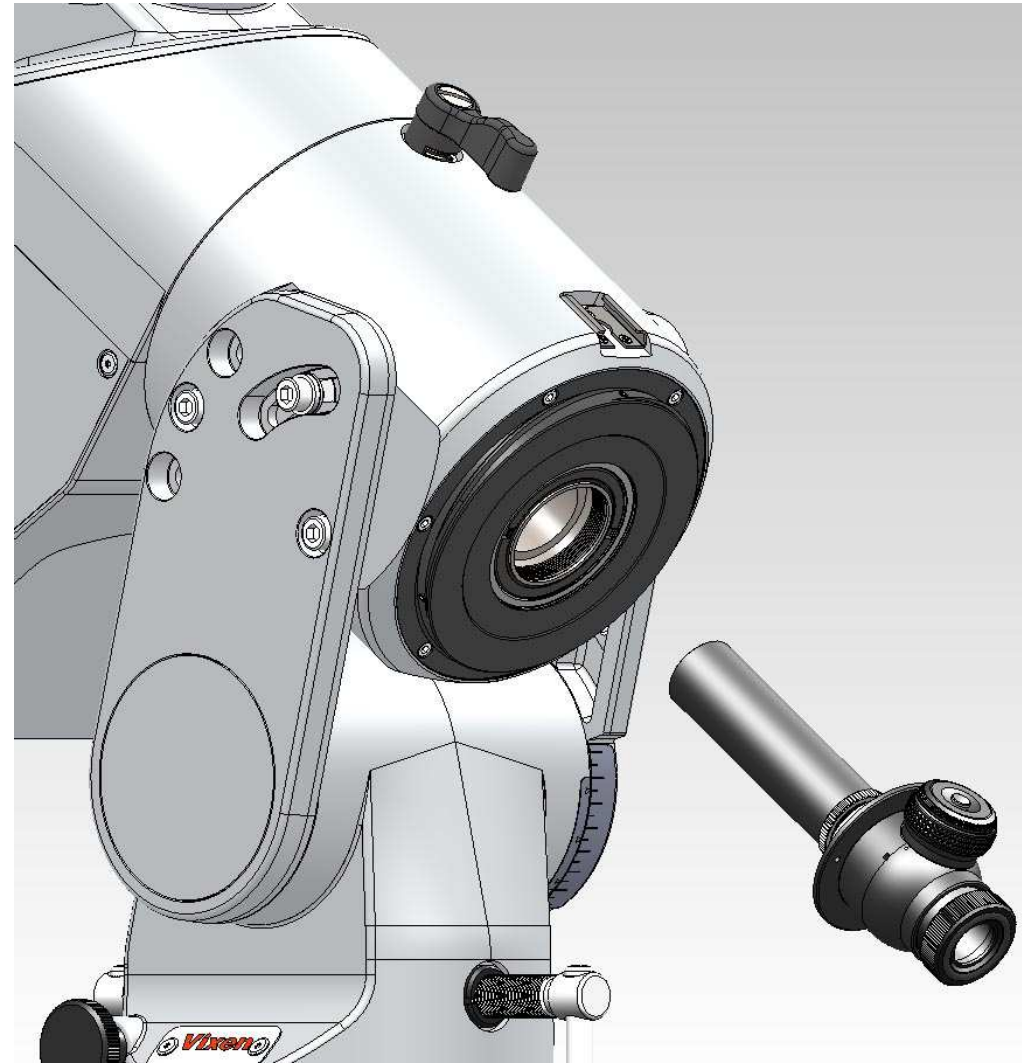
Wrong! : Top head of screw is above the surface!





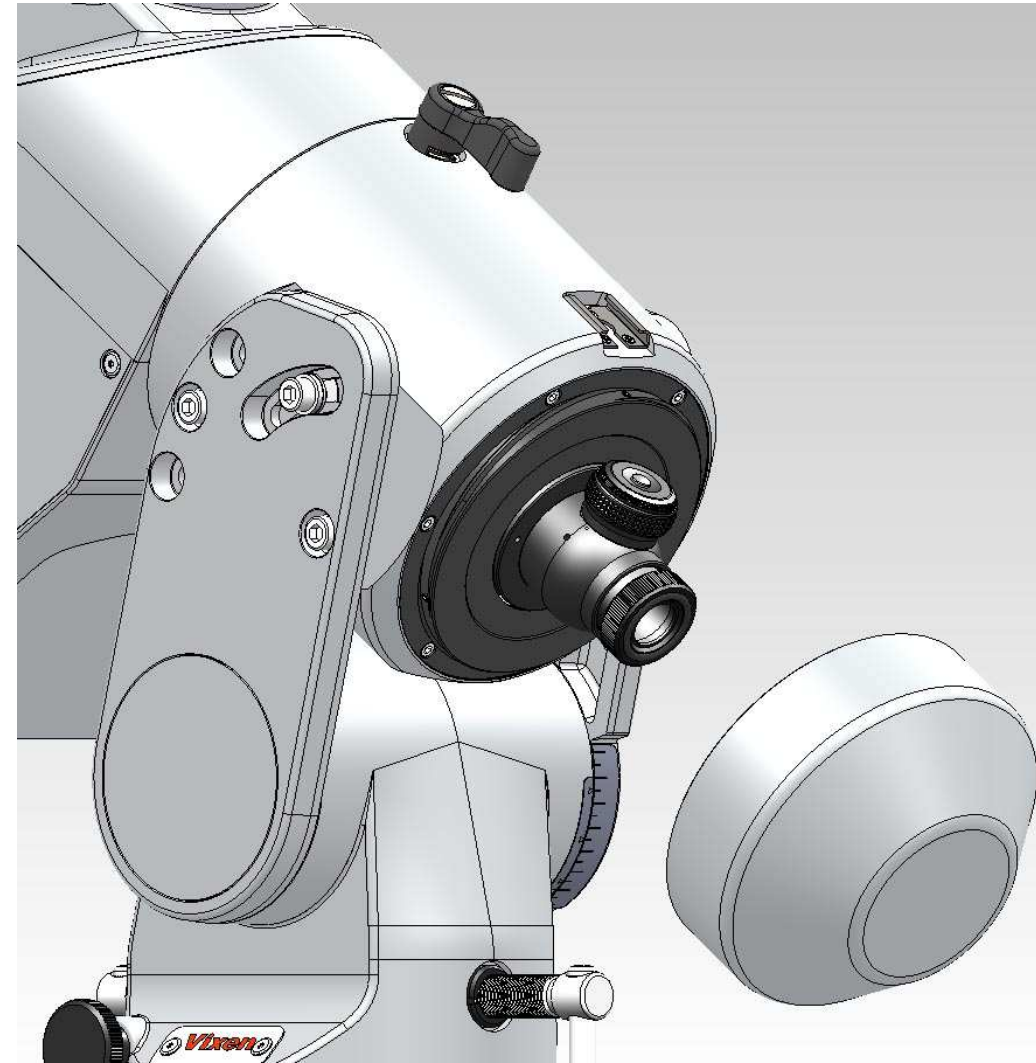
### 3.Procedures to attach R.A Encoder Body.

① Attach Polar Axis Scope.



### 3.Procedures to attach R.A Encoder Body.

⑫ Finish the procedures by Putting the cap back to original position.



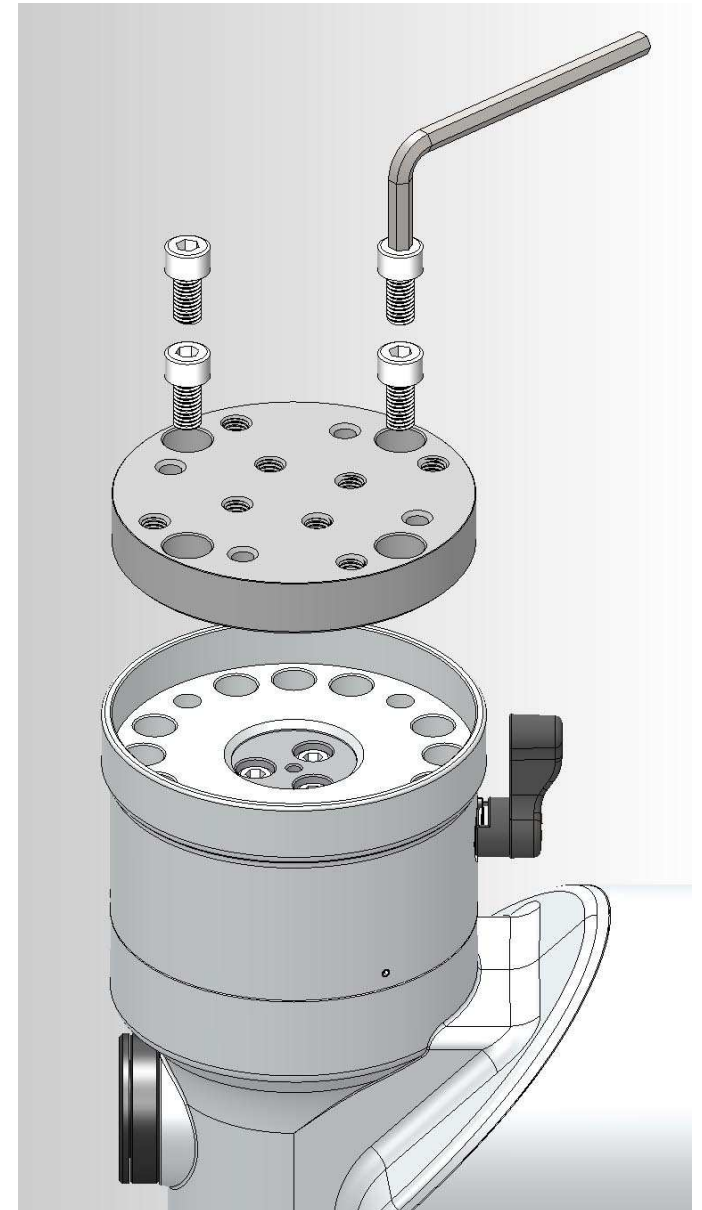
## 4.Procedures to attach DEC Encoder Body.

① Use Hexagon Wrench(6H) and Remove All “4pcs” of screws from plate.



## 4.Procedures to attach DEC Encoder Body.

② Remove round “Mount Head Plate”.



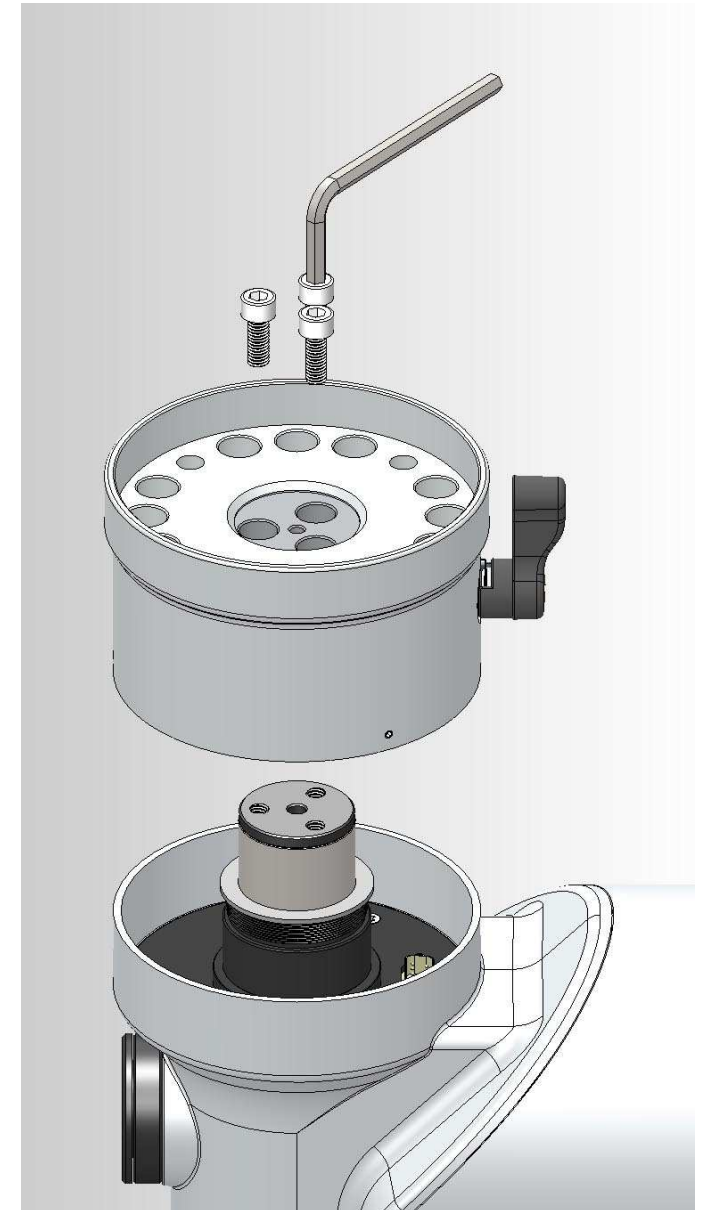
## 4.Procedures to attach DEC Encoder Body.

③Use Hexagon Wrench(5H) and  
Remove all “3pcs” of screws.



## 4.Procedures to attach DEC Encoder Body.

④ Remove “Mount Head”.





## 4.Procedures to attach DEC Encoder Body.

⑤ Remove “Washer” from DEC Axis.



## 4.Procedures to attach DEC Encoder Body.

⑥ Attach “Install Tool” to DEC Encoder Body and make it as a “handle”. Then, spot “the connector” inside of EQ Mount and match “the connector” on DEC Encoder Body.



## 4.Procedures to attach DEC Encoder Body.

⑦ Once DEC Encoder Body is properly Installed, take “the handle (Install Tool)” off from the DEC Encoder Body.

\*Please note that If the DEC Encoder Body is not appropriately installed, “Install Tool” can not be removed.



## 4.Procedures to attach DEC Encoder body.

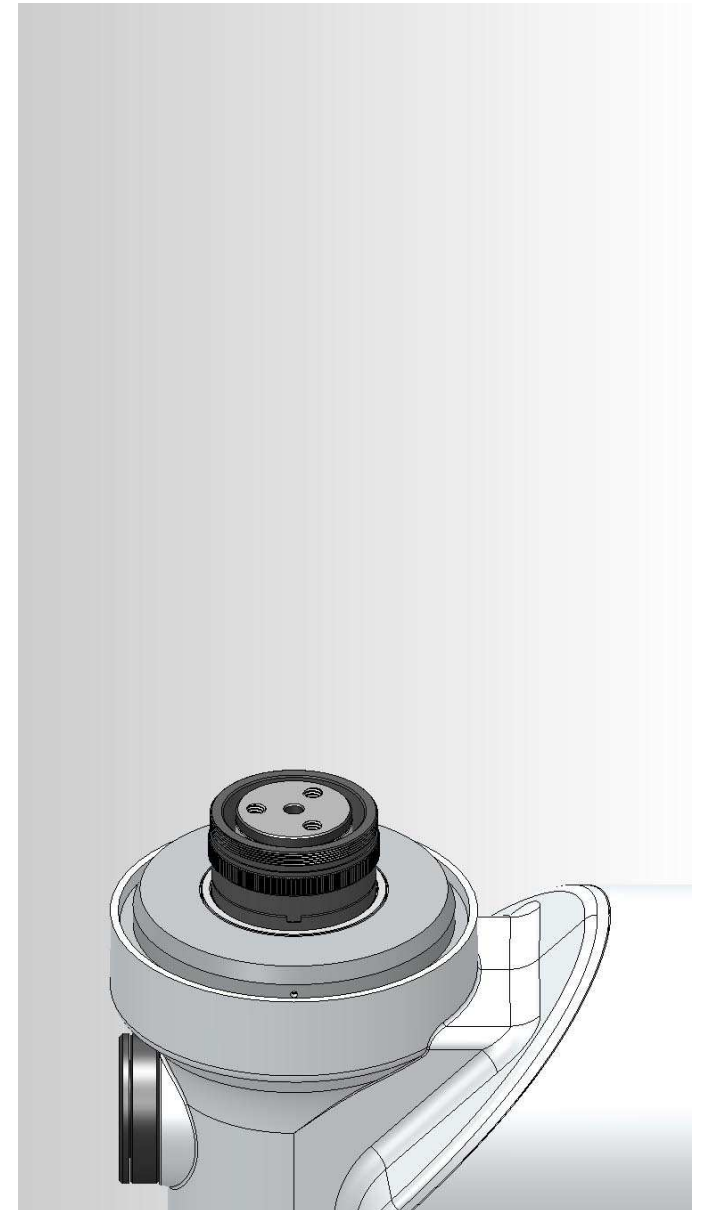
⑧ Face Up the surface of “slit” on Fix Ring.



## 4.Procedures to attach DEC Encoder Body.

⑨ And then, screw Fix Ring with “Install Tool”.

\*Please be careful for not cutting your fingers with sharp Edge of the Install Tool.



## 4.Procedures to attach DEC Encoder Body.

⑩ Put “Washer” back to the DEC Axis.

\*Please be super careful!

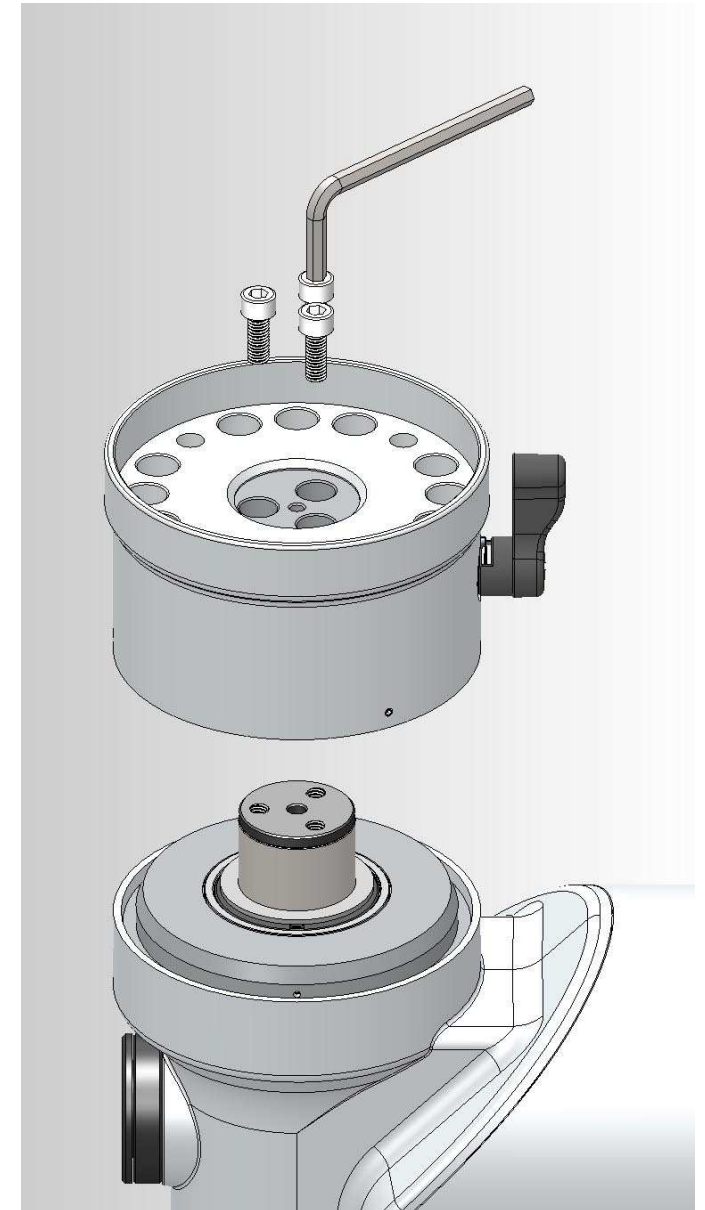
If “washer” is forgotten at this phase, DEC Axis will not ROTATE!





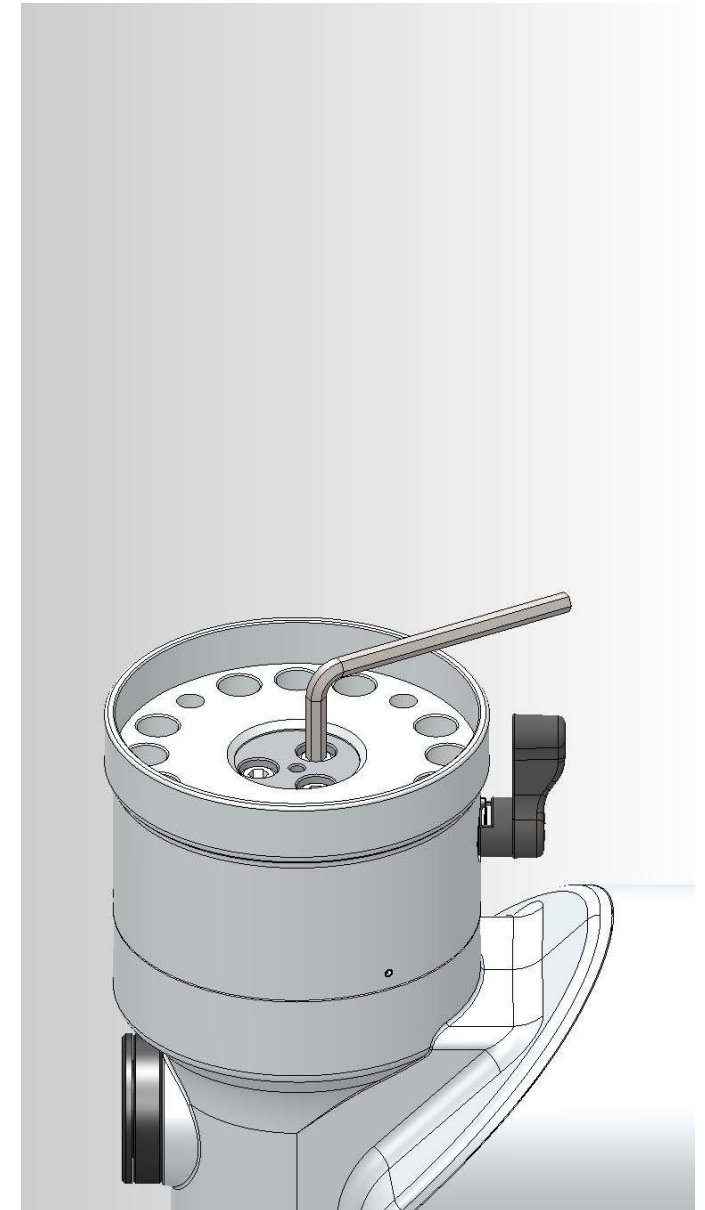
## 4.Procedures to attach DEC Encoder Body.

⑪ Attach the mount head to DEC Axis.



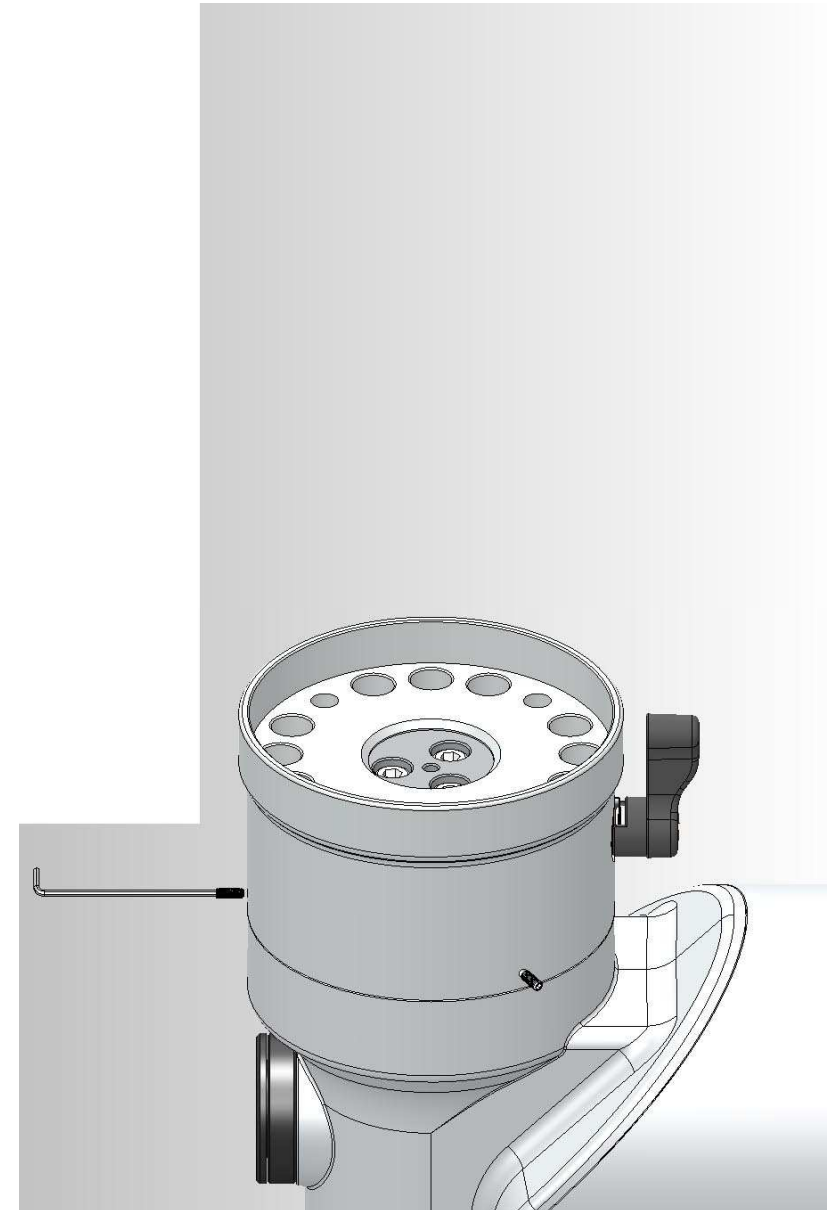
## 4.Procedures to attach DEC Encoder Body.

⑫ Use Hexagon Wrench(5H) and Tight Up screws(3pcs).



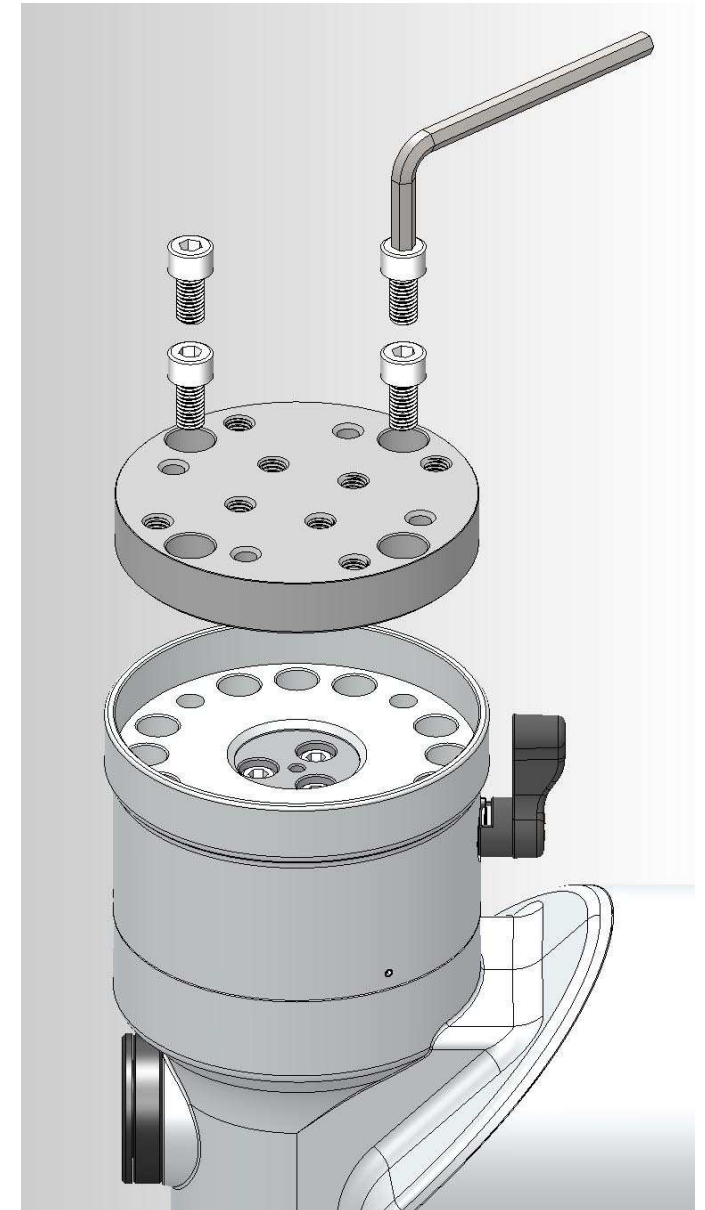
## 4.Procedures to attach DEC Encoder Body.

⑬ Use Hexagon Wrench(1.5H) and  
Screw M3L=8(3pcs).



## 4.Procedures to attach DEC Encoder Body.

⑭ Attach “Mount Head Plate”.



## 4.Procedures to attach DEC Encoder Body.

⑮ Use Hexagon Wrench(6H) and Fix the Mount Head Plate with screws.

